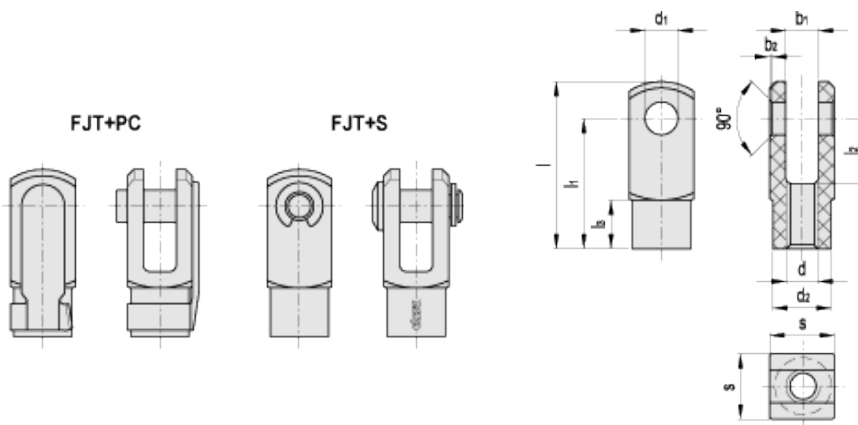


FJT.

Forks



technical informations

Material

Glass-fibre reinforced polyamide based (PA) technopolymer. Resistant to solvents, oils, greases and other chemicals.

Standard execution

- FJT+PC: with clip pin.
- FJT+S: with pin and seeger ring.

Assembly

Threaded hole.

Features and applications

FJT. forks are remarkably suitable for actuation even of pneumatic cylinders, when water and humidity are present (totally corrosion resistant).

Features of the technopolymer forks:

- totally corrosion resistant even when humidity and chemicals are present;
- good mechanical strength to the applied loads;
- very low weight combined with high stiffness;
- resistant to continuous washing cycles with solvents and detergents, so they are suitable, for example, in applications in the

food and pharmaceutical sectors;
 - excellent shock-absorbing features.
 - noise minimization;

Standard Elements		Main dimensions										Weight
Code	Description	d _{6H}	d ₁	d ₂	b ₁	b ₂	l	l ₁	l ₂	l ₃	s	g
470201	FJT-M6+PC	M6	6	10	6	0.5	31	24	12	9	12	4
470211	FJT-M8+PC	M8	8	14	8	0.5	42	32	16	12	16	9
470221	FJT-M10+PC	M10	10	18	10	0.5	52	40	20	15	20	16
470222	FJT-M10x1.25+PC	M10x1.25	10	18	10	0.5	52	40	20	15	20	16
470231	FJT-M12+PC	M12	12	20	12	0.5	62	48	24	18	24	28
470232	FJT-M12x1.25+PC	M12x1.25	12	20	12	0.5	62	48	24	18	24	28
470241	FJT-M14+PC	M14	14	24	14	0.5	72	56	28	22.5	27	42
470301	FJT-M6+S	M6	6	10	6	0.5	31	24	12	9	12	3
470311	FJT-M8+S	M8	8	14	8	0.5	42	32	16	12	16	8
470321	FJT-M10+S	M10	10	18	10	0.5	52	40	20	15	20	15
470322	FJT-M10x1.25+S	M10x1.25	10	18	10	0.5	52	40	20	15	20	15
470331	FJT-M12+S	M12	12	20	12	0.5	62	48	24	18	24	25
470332	FJT-M12x1.25+S	M12x1.25	12	20	12	0.5	62	48	24	18	24	25
470341	FJT-M14+S	M14	14	24	14	0.5	72	56	28	22.5	27	41
Strength test	Max static load under traction					Max transverse load						
Description	short term [N]		continuous [N]			short term [N]			continuous [N]			
FJT-M6	1300		650			300			150			
FJT-M8	2100		1050			650			325			
FJT-M10	3000		1500			800			400			
FJT-M10x1.25	3000		1500			800			400			
FJT-M12	3500		1750			900			450			
FJT-M12x1.25	3500		1750			900			450			
FJT-M14	6100		3050			1000			500			

The strength values are the result of lab tests carried out under room temperature (23°).



ELESA and GANTER models all rights reserved in accordance with the law. Always mention the source when reproducing our drawings.

STANDARD MACHINE ELEMENTS WORLDWIDE